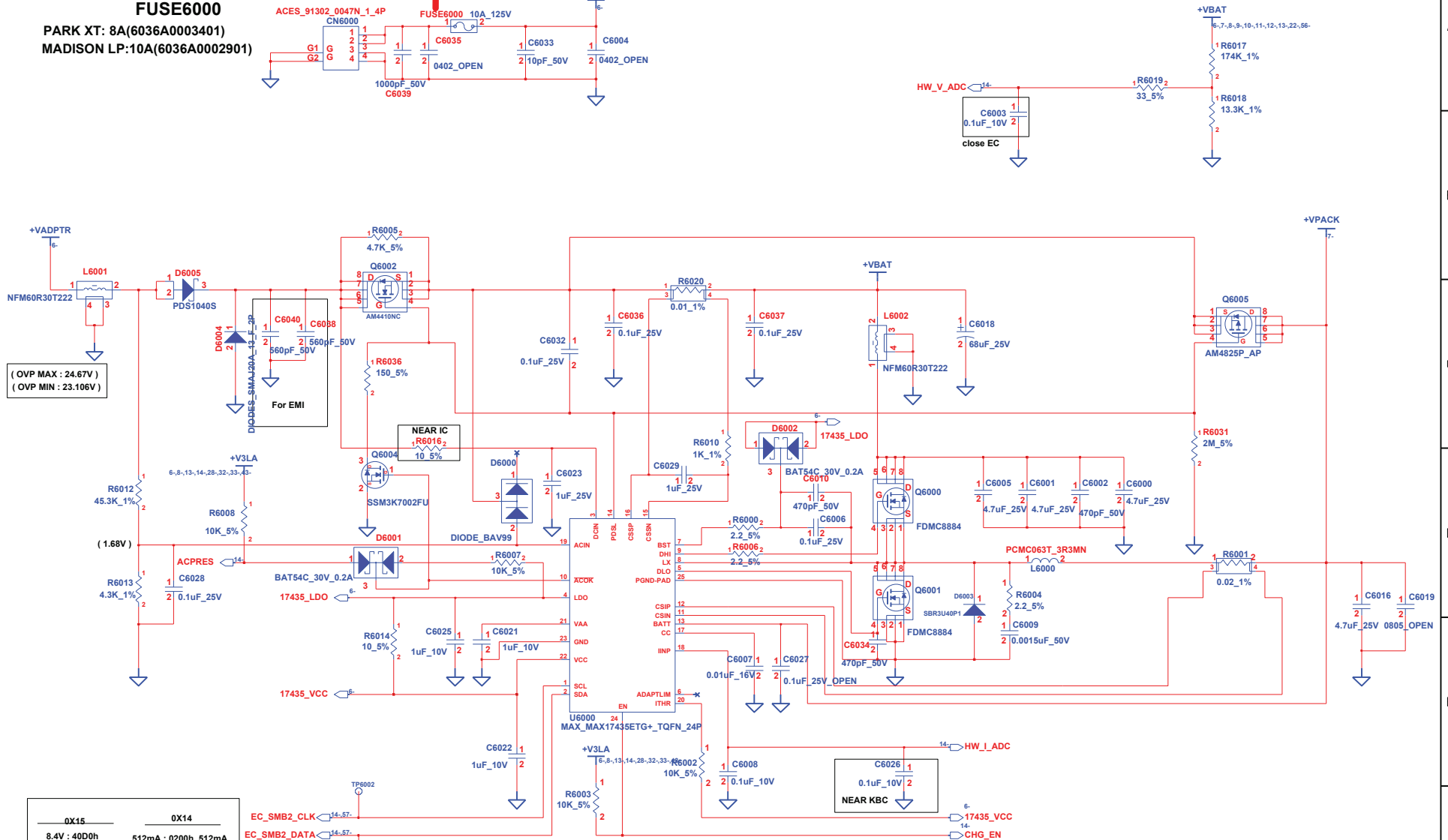


# http://hobi-elektronika.net

**FUSE6000**  
**PARK XT: 8A(6036A0003401)**  
**MADISON LP:10A(6036A0002901)**



(OVP MAX : 24.67V)  
(OVP MIN : 23.106V)

0X15	0X14
8.4V : 40D0h	512mA : 0200h_512mA
12.6V : 3140h	1.5A : 0600h_1.54A
16.8V : 41A0h	3A : 0C00h_3.07A

<b>INVENTEC</b>			
TITLE <b>BL10G</b> SYSTEM POWER			
SIZE <b>A3</b>	CODE <b>CS</b>	DOC NUMBER Model No	REV <b>X01</b>
CHANGE by <i>Drawer Name</i>		28-Oct-2009	
SHEET		6 OF 66	

A  
B  
C  
D  
E  
F

A  
B  
C  
D  
E  
F